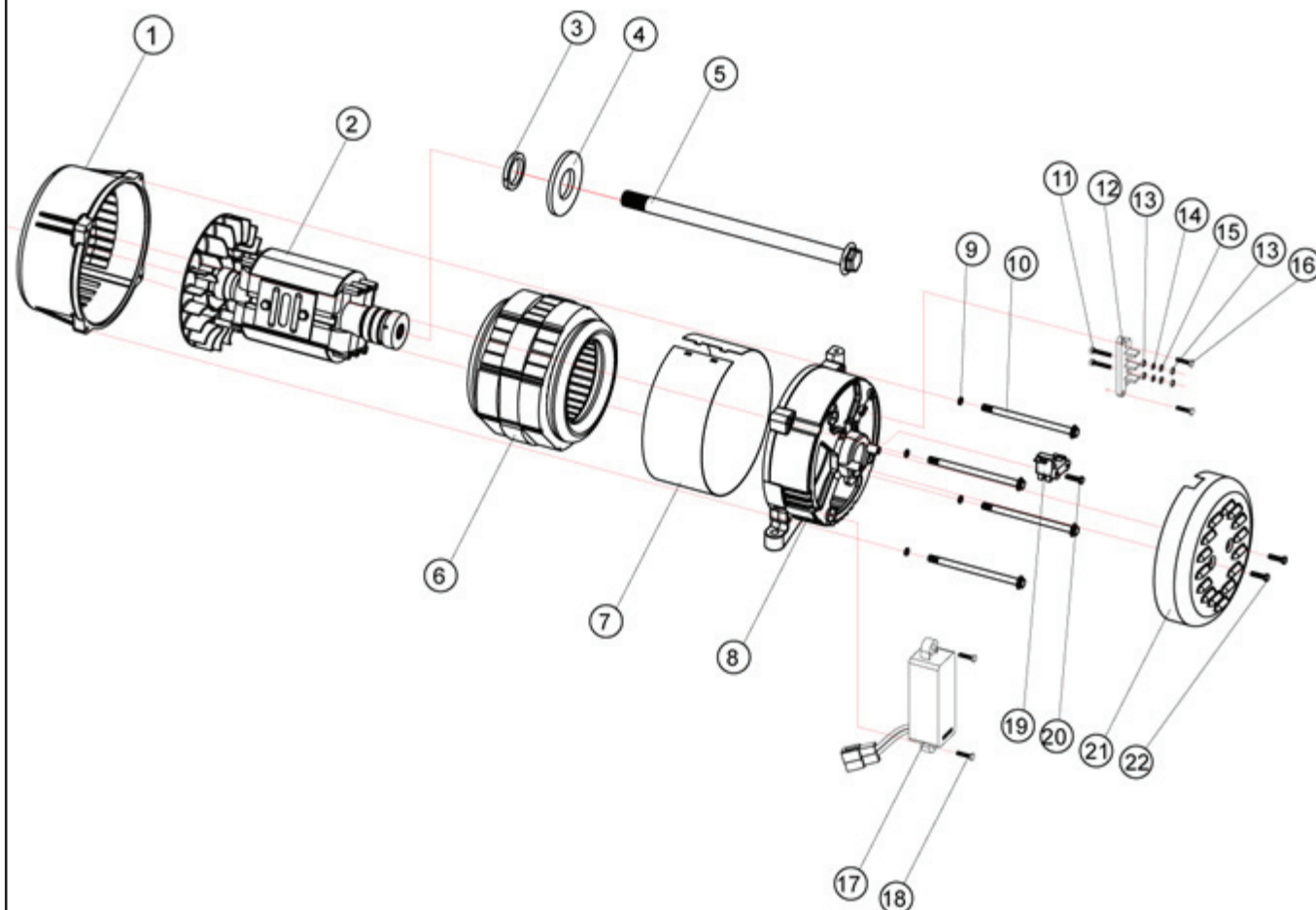
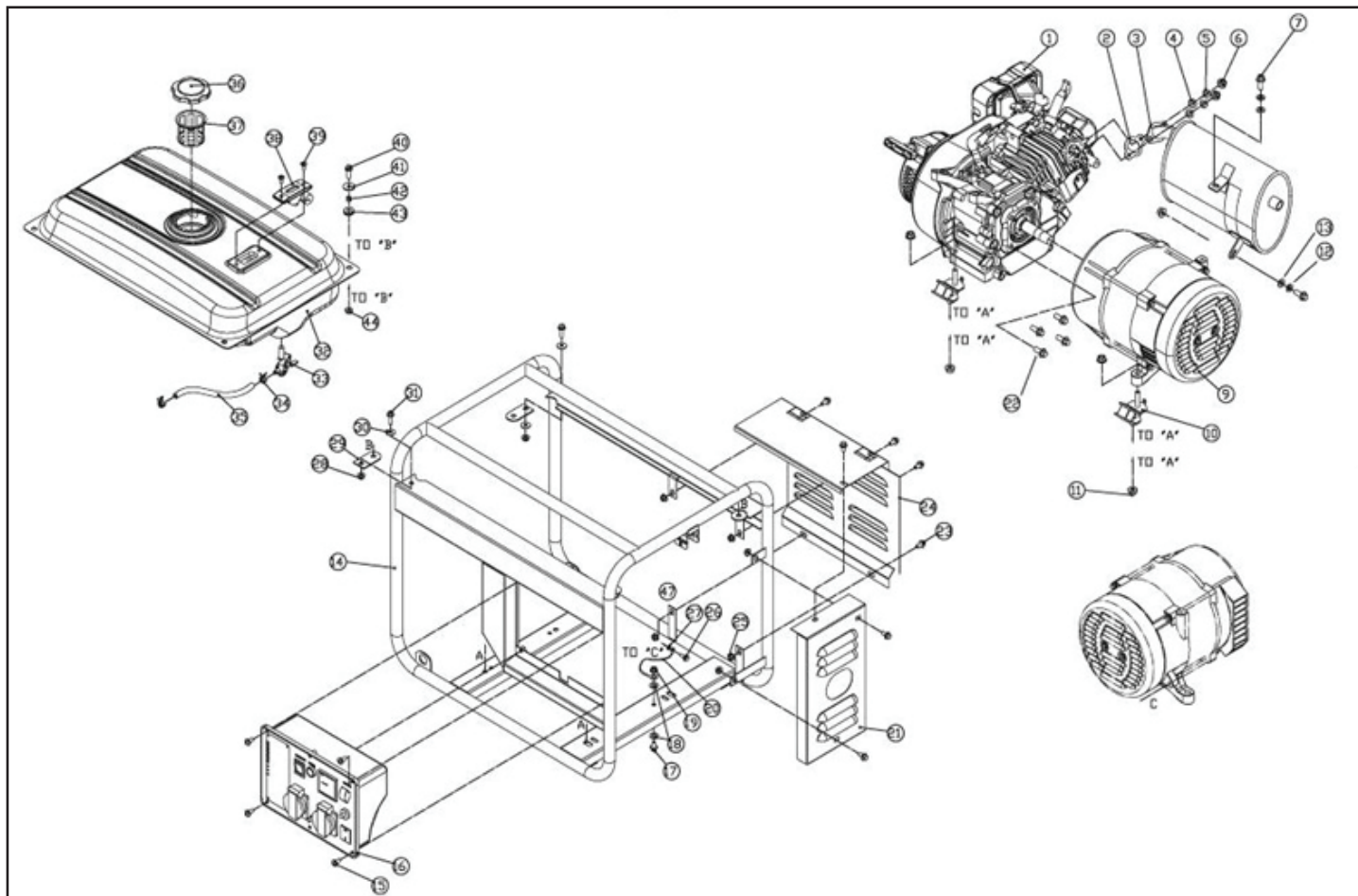


ALTERNÁTOR



	obj.číslo	název	QTY.
1	3C4101004	Alternator front cover	1
2	2B0263V1	Rotor assy	1
3	3S31101	Spring washer ϕ 10	1
4	3S3610126	Plain washer ϕ 10*26	1
5	3S22102202	Rotor bolt M10*220	1
6	2A02632221	Stator assy	1
7	3C42620080	Protection board	1
8	3C4102002	Alternator end cover	1
9	3S31061	Spring washer ϕ 6	4
10	3S22061302	Flange bolt M6*130	4
11	3S22050251	Bolt M5*25	2
12	3C61015	Connection pole	1
13	3S12052	Nut M5	4
14	3S35051	Washer ϕ 5	4
15	3S31051	spring washer ϕ 5	2
16	3S22050121	Flange bolt M5*12	2
17	3C61011	2KW AVR	1
18	3S22050161	Flange bolt M5*16	2
19	3C61013	Carbon brush	1
20	3S22050161	bolt M5*16	1
21	3C4103001	Rear cover	1
22	3S22050161	Flange bolt M5*16	2

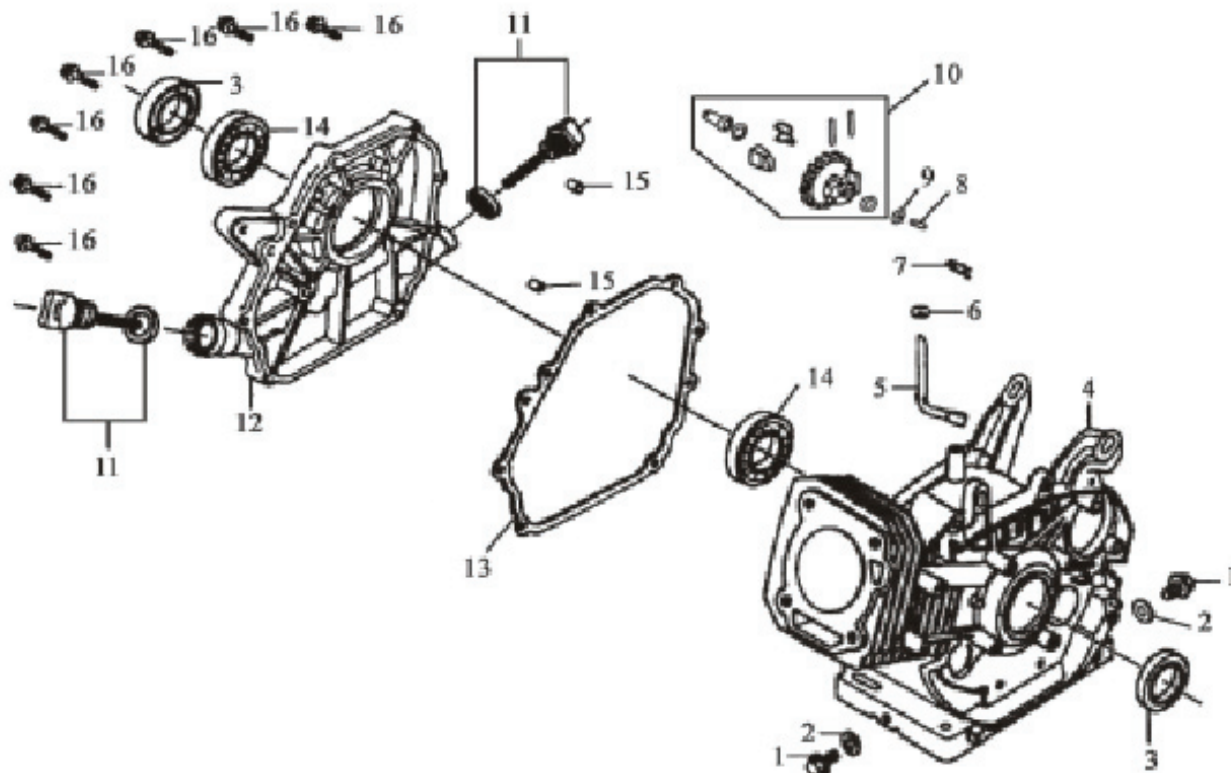
RÁM GENERÁTORU



	objednací č.	DESCRIPTION	Q.
1	2EP2103101	gasoline engine UP170	1
2	3A2005007	Muffler washer	1
3	3C2127203	muffler	1
4	3S35081	washer $\Phi 8$	2
5	3S31082	spring washer $\Phi 8$	2
6	3S12081	Nut M8	2
7	3S22080201	flange bolt M8*20	2
9		alternator assem 190*90	1
10	3C3101A	shock absorber	4
11	3S12081	Nut M8	8
12	3S31082	spring washer $\Phi 8$	2
13	3S35081	washer $\Phi 8$	2
14	3JGG27L	frame	1
15	3S27060122	screw M6*12	4
16	3MGG33		
17	3S22060121	flange bolt M6*12	1
18	3S35061	gasket	2
19	3S12061	Nut M6	1
20	3C5230001	Grounding wire	1
21	3C23003	Muffler hood	1
22	3S22080251	flange bolt M8*25	4
23	3S22060121	flange bolt M6*12	7
24	3C23005	Muffler hood	1

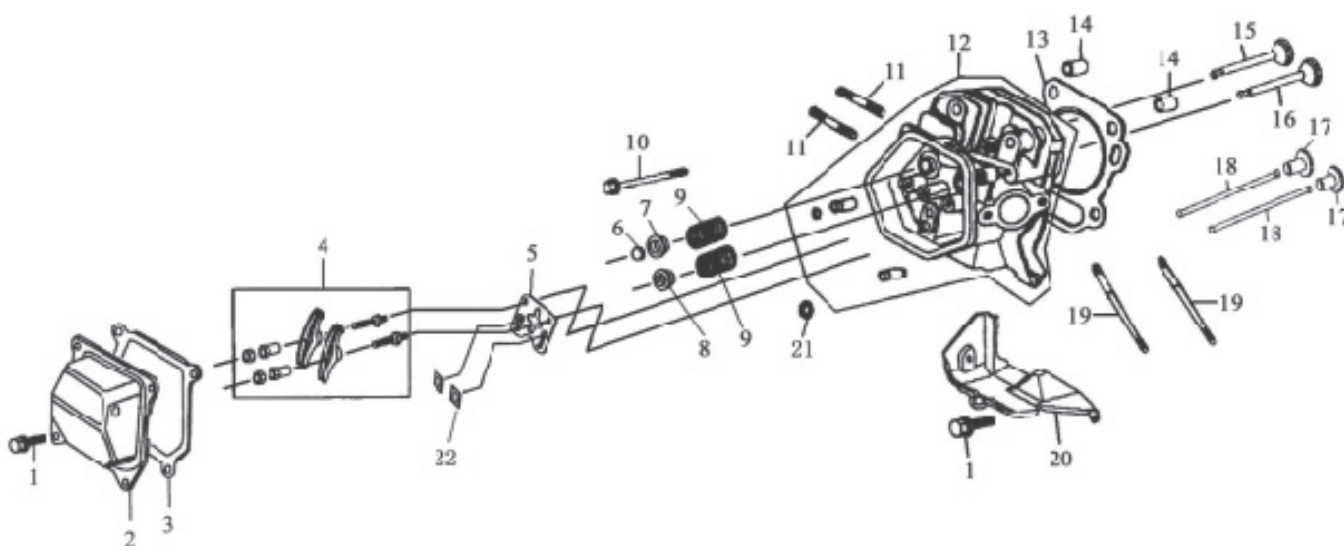
	objednací č.	DESCRIPTION	Q.
25	3S12061	Nut M6	7
26	3S22080121	flange bolt M8*12	2
27	3S39083	Gasket M8	2
28	3S12081	Nut M8	2
29		Fuel stator	2
30	3S3606118	Plain washer M6* $\Phi 8$	4
31	3S22060121	flange bolt M6*12	2
32	3C11150	Fuel tank 15L	1
33	3C13006	Fuel tank cock assem	1
34	3B0111013	Clamp	2
35	3B0111014	Fuel pipe	1
36	3C13003	Fuel tank cap assem	1
37	3C13010	Strainer	1
38	3C13001	Fuel marker	1
39	3S27050122	Screw M5*12	2
40	3S22060251	Flange bolt M6*25	4
41	3S3606118	Plain washer M6* $\phi 18$	4
42	3C13008	Bush $\phi 6$	4
43	3C13008	Shock absorber $\phi 8$	4
44	3S12061	Nut M6	4

1. KLIKOVÁ SKŘÍŇ



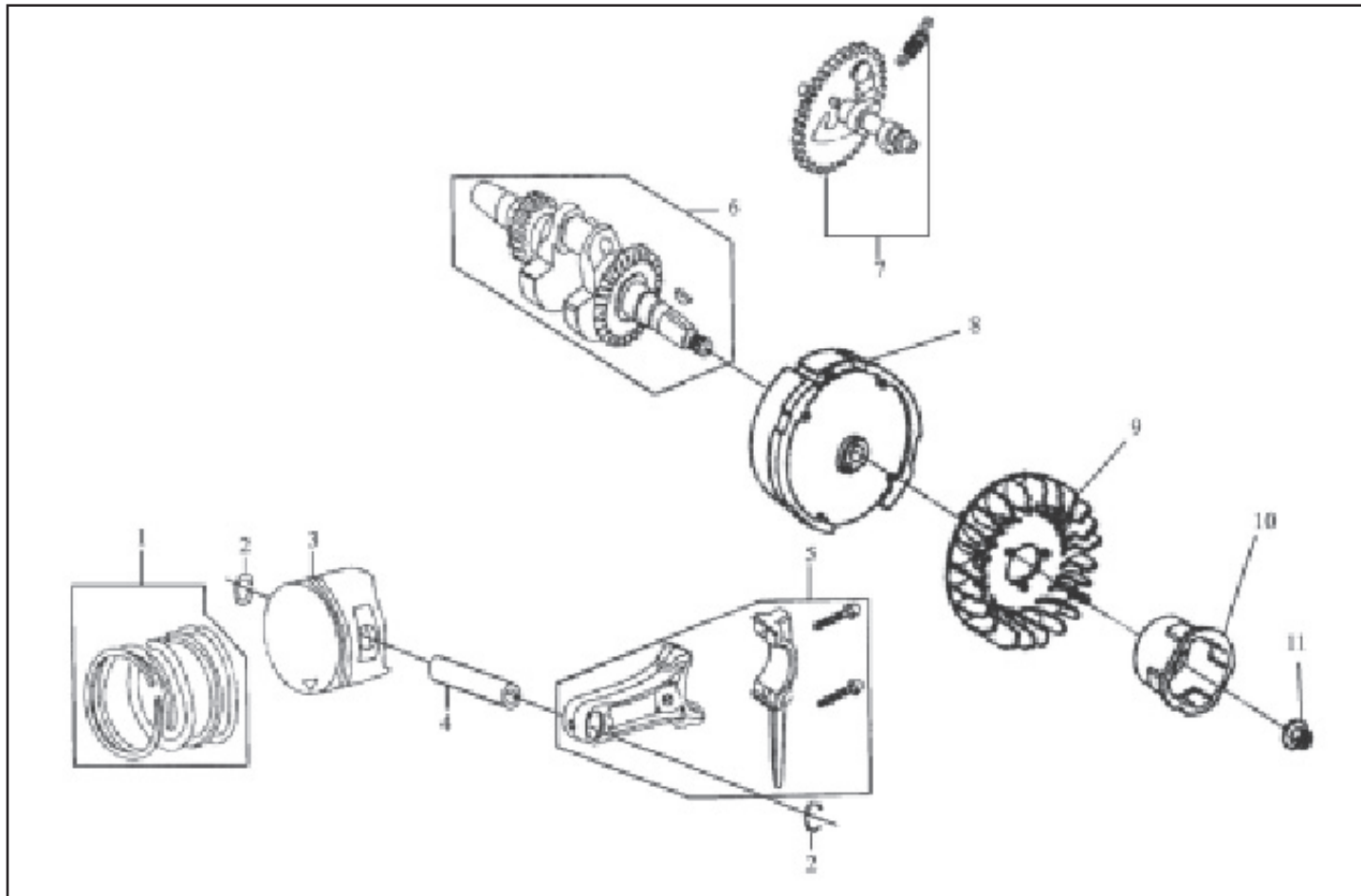
	obj. číslo	název	QTY.
1	W1703A1001001	Drain plug	2
2	W1703A1001002	Washer, drain plug	2
3	W1703S61254108	Oil seal, crankshaft	2
4	W1703A2201004	Crankcase	1
5	W1703A2001005	Regulating sway bar	1
6	W1703A2001006	Washer	2
7	W1703A2001007	Split pin	1
8	W1703A2001008	Regulating shaft	1
9	W1703A2001009	Snap ring	1
10	W1703A2001100	Driven gear assy	1
11	W1703A2001200	Dipstick with seal	2
12	W1703A2001012	Crankcase cover	1
13	W1703A2001013	Gasket, crankcase	1
14	W1703S7106205	Bearing 6205	2
15	W1703S5108014	Set pin $\Phi 8 \times 14$	2
16	W1703S22080331	Bolt M8 \times 33.5	6

2. HLAVA VÁLCE



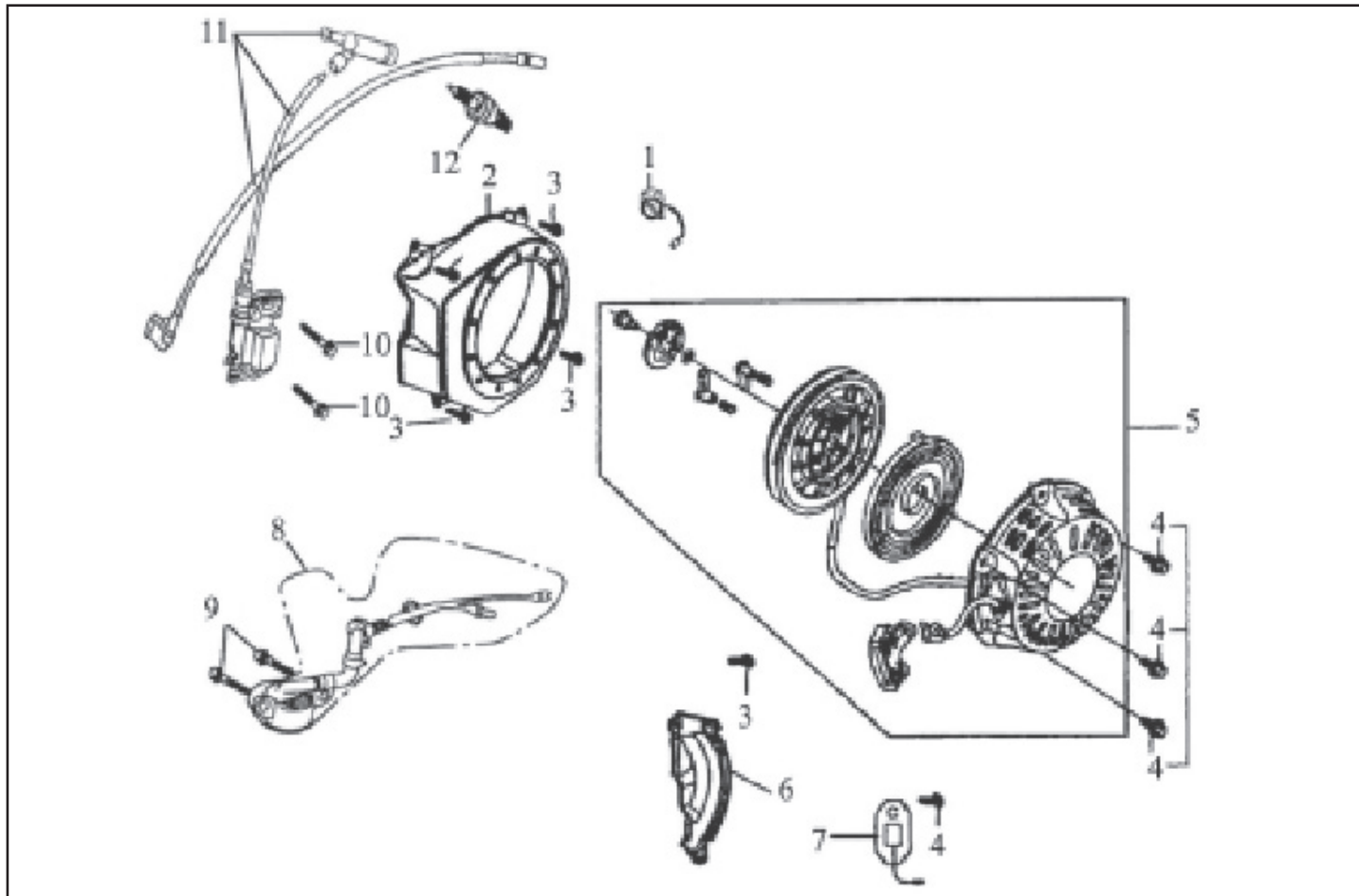
	objednací číslo	DESCRIPTION	QTY.
1	W1703S22060121	Bolt M6×12	6
2	W1703A2002100	Cylinder head cover	1
3	W1703A2002006	Gasket,cyl. head cover	1
4	W1703A2002200	Valve rocket assy	1(2 units)
5	W1703A2002008	Push guide	1
6	W1703A2002009	Cap	1
7	W1703A2002010	Exhaust spring seat	1
8	W1703A2002011	Intake spring seat	1
9	W1703A2002012	Valve spring	2
10	W1703S22080601	Bolt M8×60	4
11	W1703S25080341	Stud AM8×34	2
12	W1703A2202017	Cylinder head assy	1
13	W1703A2202018	Cylinder head gasket	1
14	W170XA010016	Set pin	2
15	W1703A2202019	Exhaust valve	1
16	W1703A2202020	Intake valve	1
17	W1703A2002022	Tappet	2
18	W1703A2002023	Pusher	2
19	W1703S25061051	Stud AM6×105	2
20	W1703A2002024	Lead wind cover	1
21	W1703A2002026	Oil seal, pipe	1
22	W1703A2002027	Nylon, lining	2

3. KLIKOVÁ HŘÍDEL



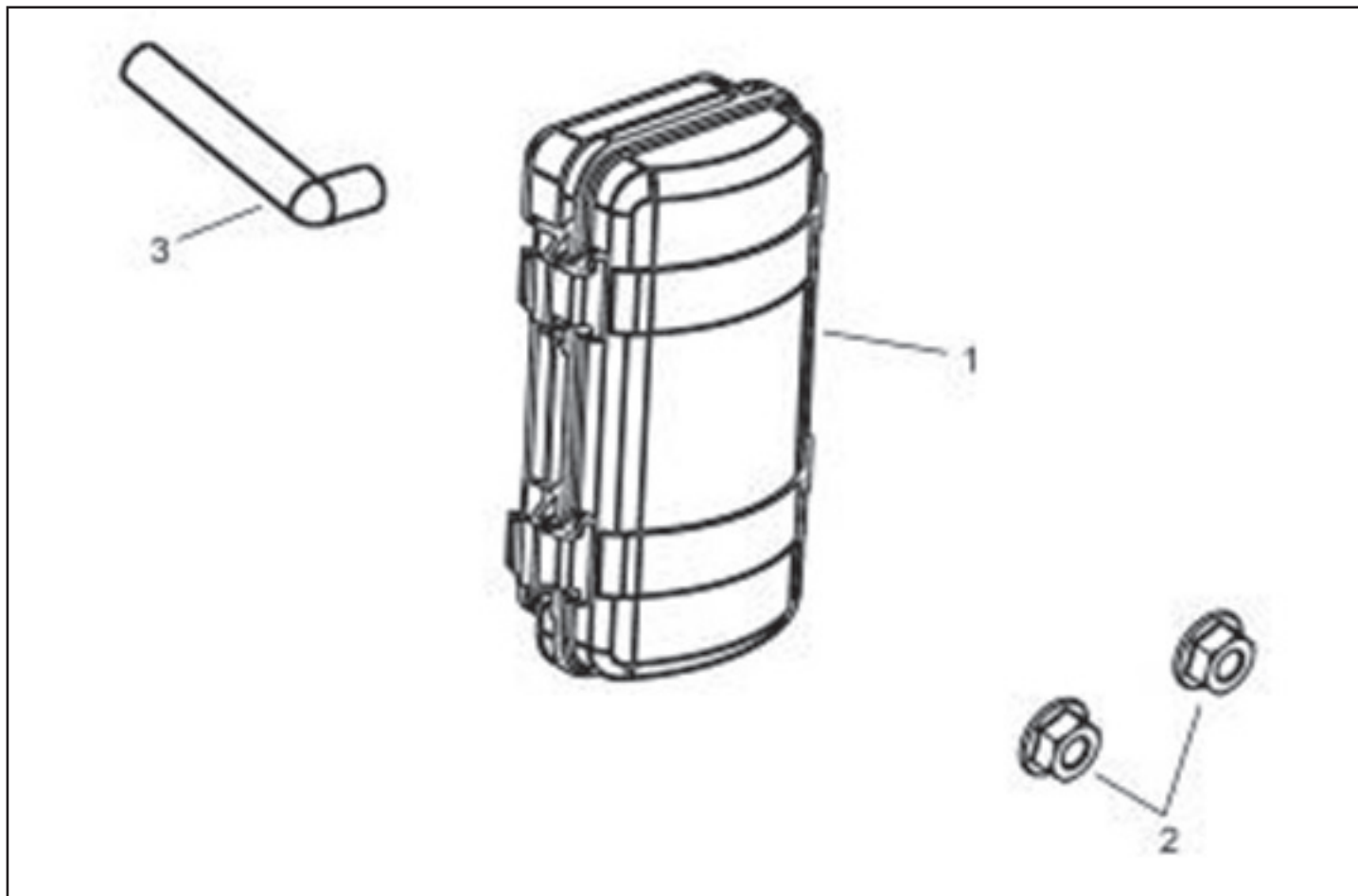
	objednací číslo	DESCRIPTION	QTY.
1	W1703A2203100	Piston ring set	1
2	W1703A2003002	Piston pin circlip	2
3	W1703A2203003	piston	1
4	W1703A2003004	Piston pin	1
5	W1703A2003200	Connect rod assy	1
6	W1703A2003300	Cranshaft assy	1
7	W1703A2003400	Camshaft assy	1
8	W1703A2003008	Flywheel	1
9	W1703A2003009	Flywheel fan	1
10	W1703A2003010A	Starting flange	1
11	W1703A2003011	Nut M14×1.5	1

4. MECHANICKÝ STARTÉR



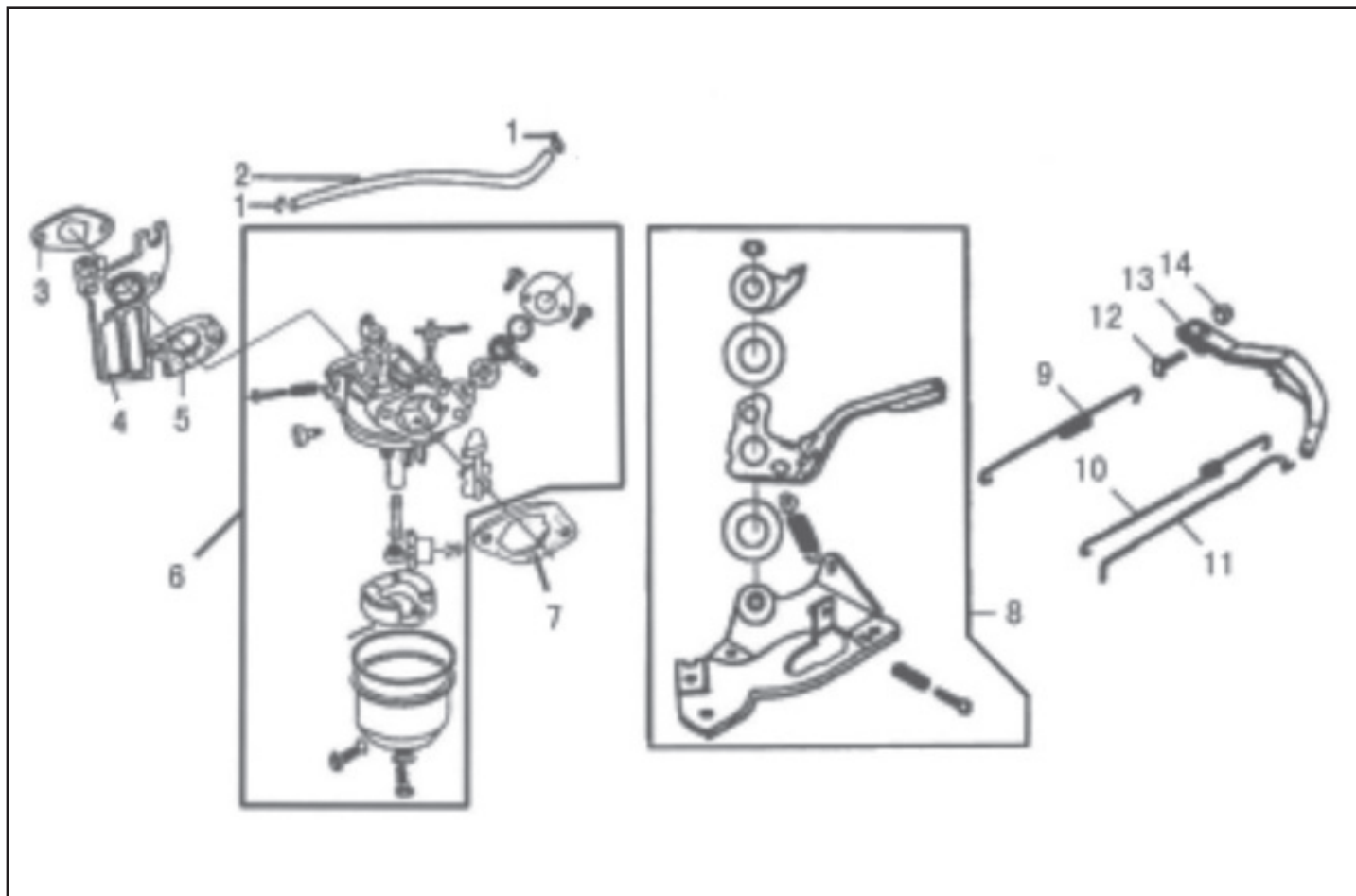
	objednací číslo	DESCRIPTION	QTY.
1	W1703A2004001	Engine switch	1
2	W1703A2004002	Fan hood	1
3	W1703S22060121	Bolt M6×12	5
4	W1703S22060081	Bolt M6×8	4
5	W1703A2004100	Recoil starter assy	1
6	W1703A2004007	Shroud comp.	1
7	W1703A2004008	Diode	1
8	W1703A2004200	Oil sensor	1
9	W1703S22060141	Bolt M6×14	2
10	W1703S22060221	Bolt M6×22	2
11	W1703A2004300	Ignition coil assy	1
12	W1703A2004013	Spark plug F6RTC	1

5. ČISTIČ VZDUCHU



	objednací číslo	DESCRIPTION	QTY.
1	W1703A2005100C	Air cleaner assy	1
2	W1703S12061	Nut M6	2
3	W1703A1005004A	Air duck	1

6. KARBURÁTOR



	objednací číslo	DESCRIPTION	QTY.
1	W1703A2006001	Pipe clamp	2
2	W1703B0111007	Fuel pipe	Φ4.5×170mm
3	W1703A2006010	Inlet gasket	1
4	W1703A2006011	Connecting block	1
5	W1703A2006012	Carburetor gasket	1
6	W1703A2206200A	Carburetor assy	1
7	W1703A2006014	Gasket,air cleaner	1
8	W1703A2006300B	Regulating control assy	1
9	W1703A2006016A	Back spring	1
10	W1703A2006017	Regulating spring	1
11	W1703A2006018	Pulling rod	1
12	W1703A2006019	Lock bolt	1
	W1703A2006019A	Lock bolt	
13	W1703A2006020	Regulating arm	1
14	W1703S12061	Nut M6	1