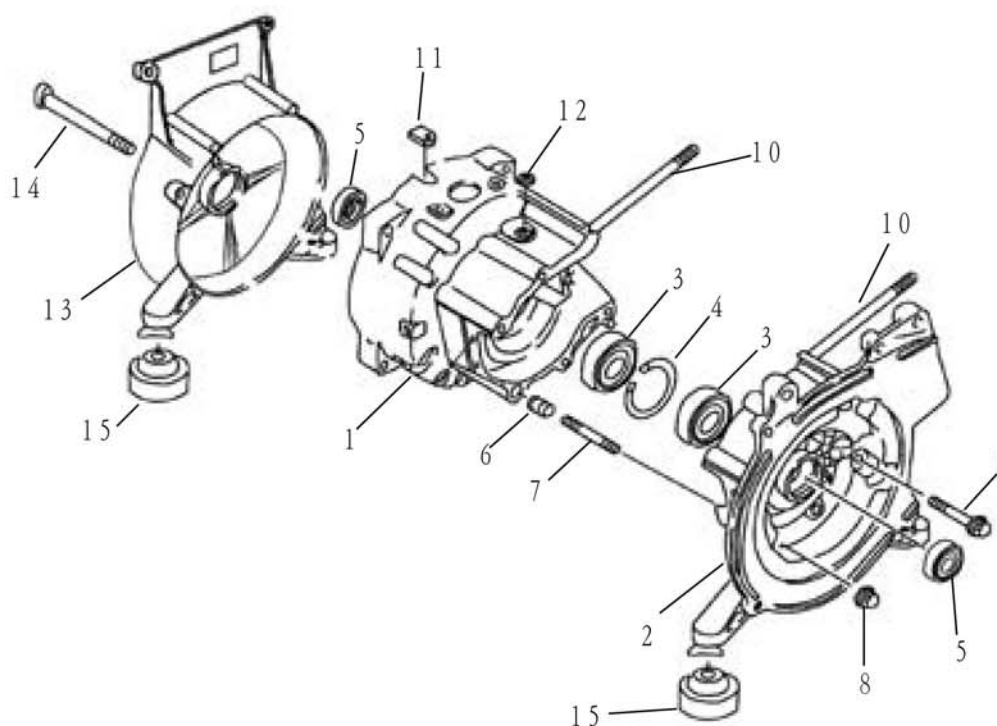


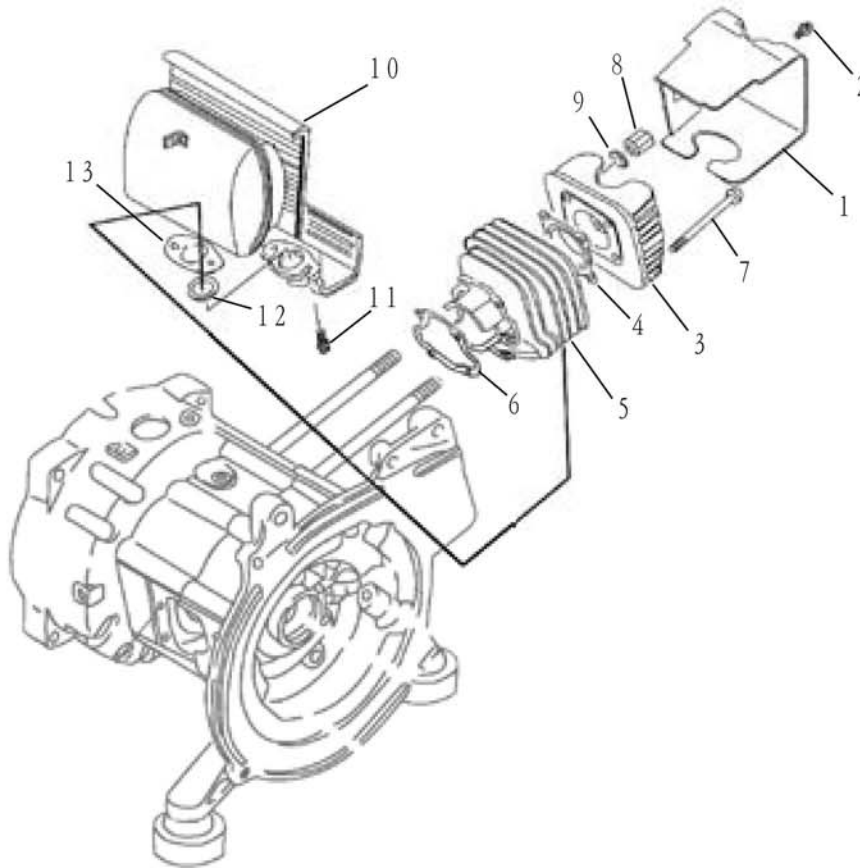
# Unitedpower GG 950DC

## Cylinder Assembly



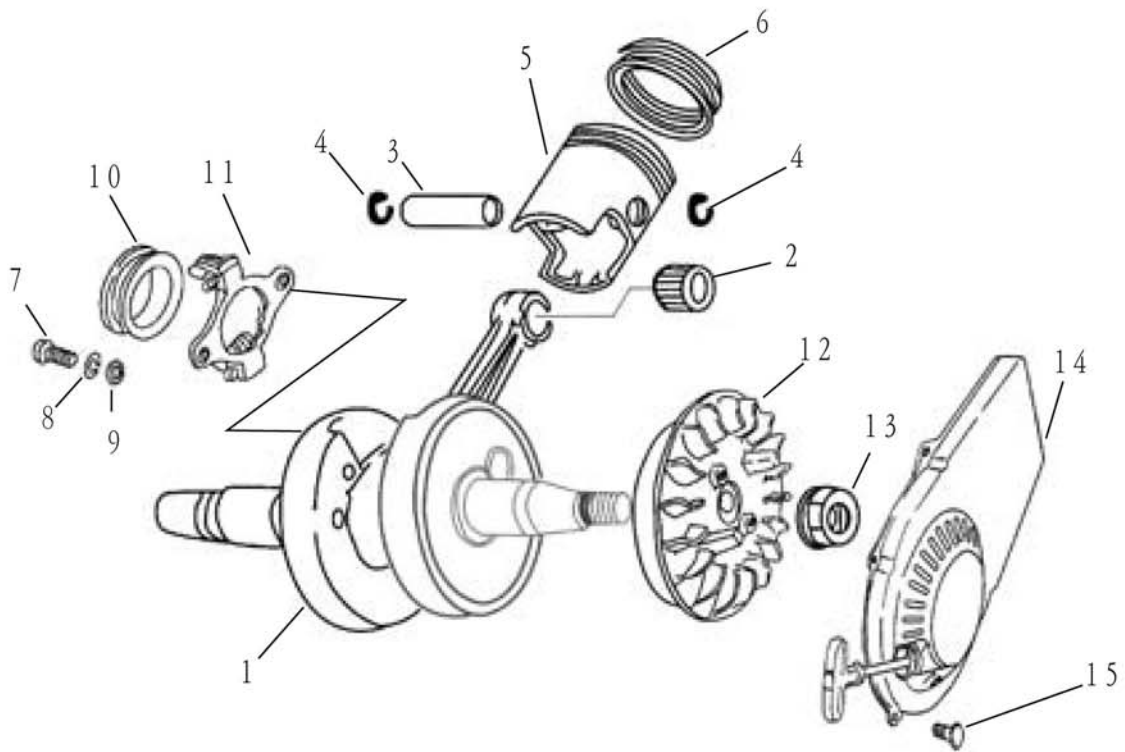
No.	CODE	DESCRIPTION
101	95001001	crankcase, left
102	95001002	crankcase, right
103	ZC6004	bearing 6004
104	95001003	circlip $\Phi 42$
105	YF203007	oil seal $20 \times 30 \times 7$
106	XA1015	pin $10 \times 7 \times 15$
107	LZA06050	stud $AM6 \times 50$
108	LMB06	nut M6
109	LSB06050	bolt, flange
110	LZA06110	stud $AM6 \times 110$
111	95001004	insulator rubber
112	YF061204	oil seal $6 \times 12 \times 4$
113	95001005	rear cover
114	LSB06080	bolt, flange $M6 \times 80$
115	95001006	absorber

## Cylinder Head And Muffler Assembly



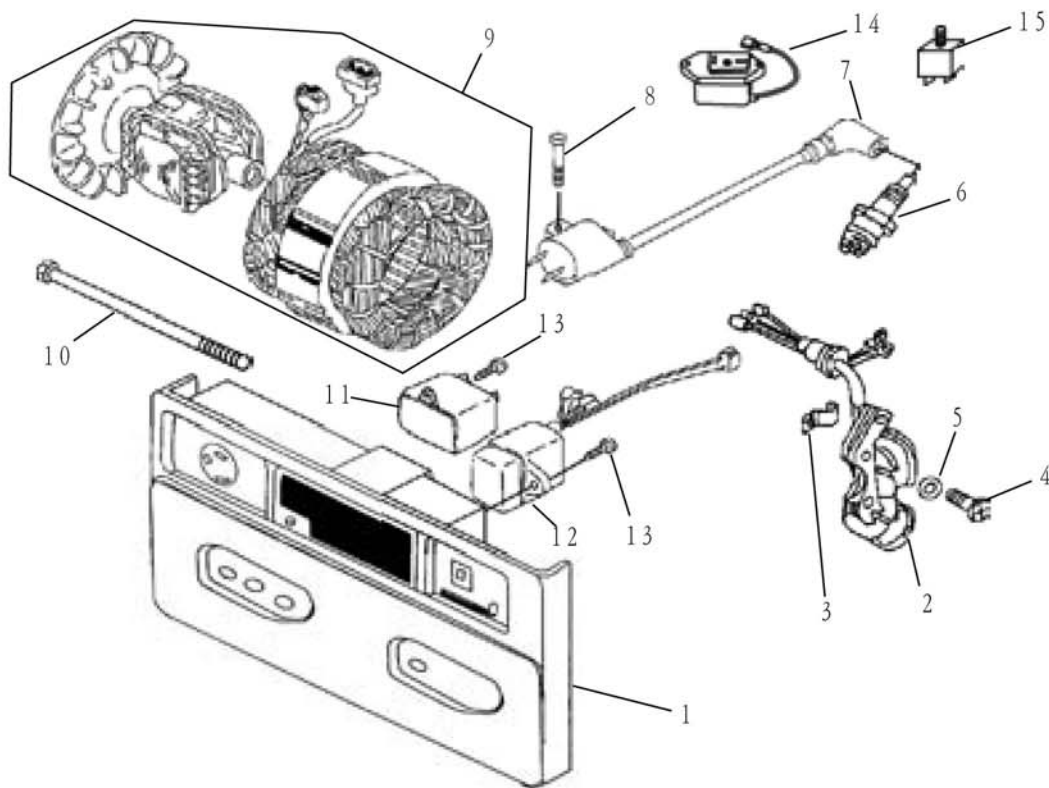
No.	CODE	DESCRIPTION
201	95002001	head cover,cylinder
202	LSB06012	bolt,flange M6 × 12
203	95002002	cylinder head
204	95002003	gasket,cylinder head
205	95002100	cylinder
206	95002004	gasket,cylinder
207	LSB06100	bolt,flange M6 × 100
208	LMD06	nut M6
209	PDA06	washer,plate Φ 6
210	95002200	muffler assembly
211	LSB06016	bolt,flange M6 × 16
212	95002005	gasket,exhaust pipe
213	95002006	gasket,muffler

## Crank Parts



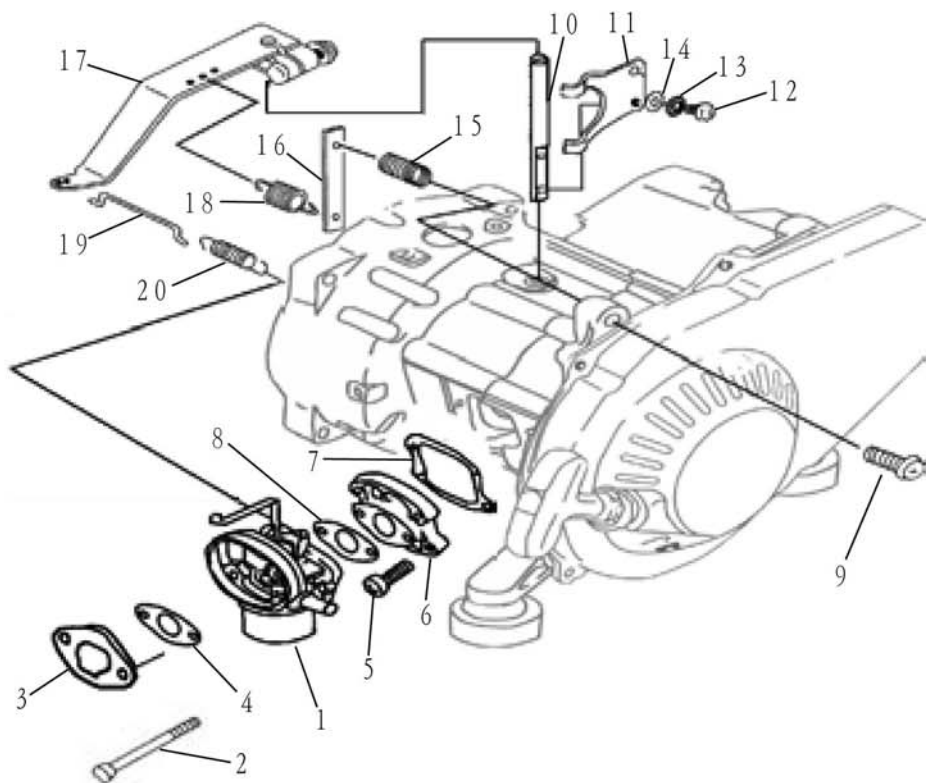
No.	CODE	DESCRIPTION
301	95003100	crankshaft assembly
302	95003001	roller bearing
303	95003002	piston pin
304	95003004	circlip
305	95003005	piston
306	95003200	piston ring set
307	LSA06016	bolt M6×16
308	TDA06	spring washer Φ6
309	PDA06	plain washer Φ6
310	95002007	collar bush
311	95003300	weight comp
312	95003008	flywheel
313	95003009	nut ,crankshaft M10
314	95003400	recoil starter assembly
315	LSB06012	bolt M6×12

## Electric Parts



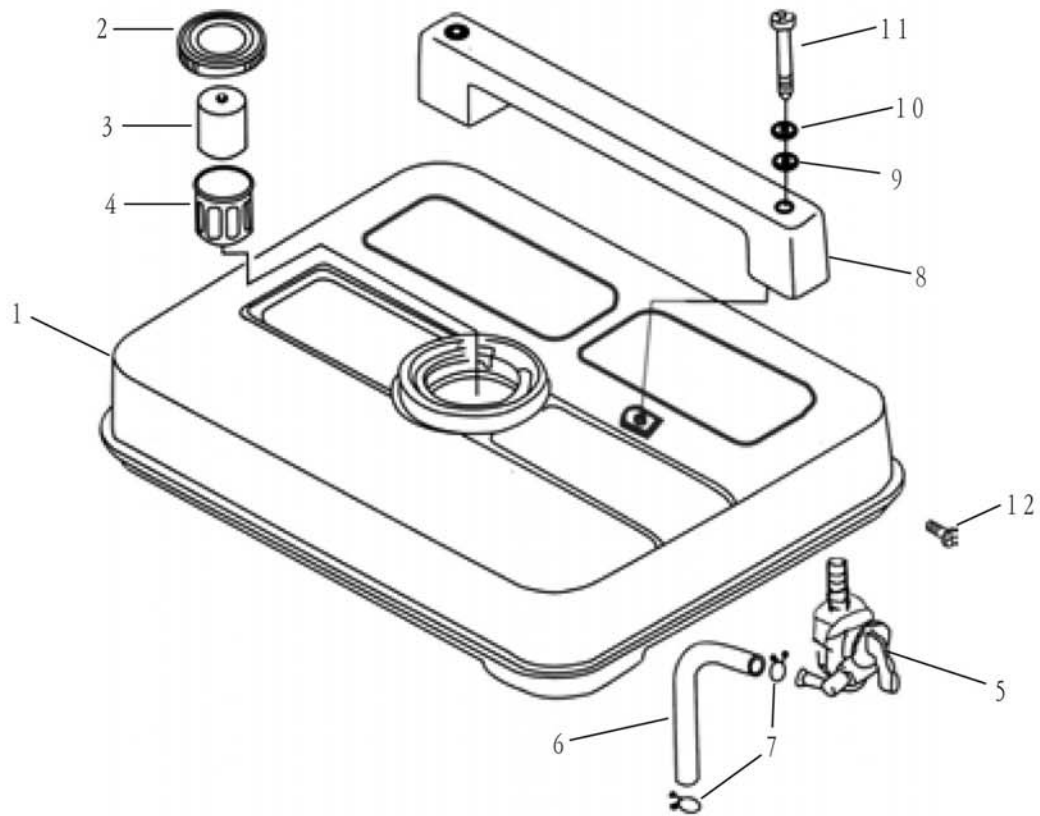
No.	CODE	DESCRIPTION
401	95004100	control panel assembly
402	95004200	magneto
403	95004001	clamp
404	LDA06018	screw M6 × 18
405	TDD06	spring washer Φ 6
406	95004300	spark plug
407	93004400	ignition coil assy
408	LSB06020	bolt, flange M6 × 20
409	95004500	alternator assy
410	LSB08154	bolt, flange M8 × 154
411	95004501	capacitor
412	95004600	C.D.I. Unit assy
413	LDA06015	screw, tapping M6 × 15
414	95004700	DC output socket
415	95004800	Circuit protector

## Governor Parts



No.	CODE	DESCRIPTION
501	95005100	carburetor assembly
502	LSB06060	bolt, flange M6 × 60
503	95005001	carburetor, plate A
504	95005002	carburetor, plate B
505	LSB06020	bolt, flange M6 × 20
506	95005200	intake reed comp
507	95005003	valve base gasket
508	95005004	intake gasket
509	LDC06040	screw M6 × 40
510	95005005	governor shaft
511	95005006	governor fork
512	LDC03008	screw M3 × 8
513	TDA06	spring washer Φ6
514	PDA06	plate washer Φ6
515	95005007	spring, compression
516	95005008	supporting plate
517	95005300	governor arm
518	95005009	spring, governor
519	95005010	rod, link
520	95005011	spring, tension

## Fuel Tank Assembly



No.	CODE	DESCRIPTION
601	95006100	fuel tank comp
602	95006200	cap assy
603	95006001	fuel cup
604	95006002	strainer
605	95006300	fuel tank cock assy
606	95006003	fuel pipe
607	95006004	pipe clip
608	95006005	handle
609	PDA06	washer $\Phi$ 6
610	TDA06	washer, spring $\Phi$ 6
611	LSC06030	screw M6 $\times$ 30
612	LSB06012	bolt, flange